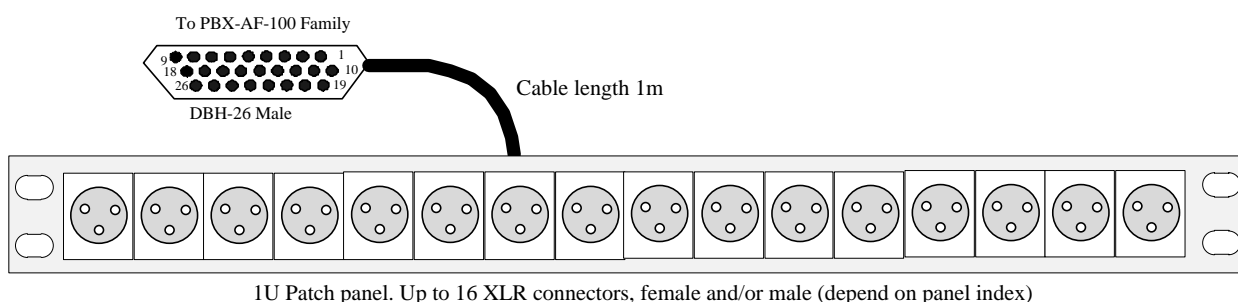


PBX-AF-100 Patch panels

The following adapters (**DHR-26M connector to a PXB-AF-100 – XLR connector(s) on a patch panel**) are intended for connecting the **PBX-AF-100** unit to the audio infrastructure. Select a panel index according to the PBX-AF-100 modification and quantity. Cable length is **1m**.



PROBOX™ PBX-AF-100 Family	Number of units	Panel index
4/8 audio channels Tx.		
PBX-AF-100-4A(4M)-T1F	1	PPT-4F-1
	2	PPT-8F-1
	4	PPT-16F-1
PBX-AF-100-4E-T1F	1	PPTE-2F-1
	2	PPTE-4F-1
	4	PPTE-8F-1
	8	PPTE-16F-1
PBX-AF-100-8AA(8MA, 8MM)-T1F	1	PTP-8F
	2	PTP-16F
PBX-AF-100-8AE(8ME)-T1F	1	PTP-6F
	2	PTP-12F
PBX-AF-100-8EE-T1F	1	PTPE-4F
	2	PTPE-8F
	4	PTPE-16F
4/8 audio channels Rx.		
PBX-AF-100-4A(4M)-R1F	1	PPR-4M-1
	2	PPR-8M-1
	4	PPR-16M-1
PBX-AF-100-4E-R1F	1	PPRE-2M-1
	2	PPRE-4M-1
	3	PPRE-8M-1
	4	PPRE-16M-1
PBX-AF-100-8AA(8MA, 8MM)-R1F	1	PTP-8M
	2	PTP-16M
PBX-AF-100-8AE(8ME)--R1F	1	PTP-6M
	2	PTP-12M
PBX-AF-100-8EE-R1F	1	PTPE-4M
	2	PTPE-8M
	4	PTPE-16M
4 audio channels Tx+4 audio channels Rx.		
PBX-AF-100-8AA-TR1F PBX-AF-100-8AA-TR2F	1	PPTR-4F4M-2
	2	PPTR-8F8M-2
PBX-AF-100-8AE-TR1F PBX-AF-100-8AE-TR2F	1	PPTR-4F2M
	2	PPTR-8F4M
PBX-AF-100-8EA-TR1F PBX-AF-100-8EA-TR2F	1	PPTR-2F4M
	2	PPTR-4F8M
PBX-AF-100-8EE-TR1F PBX-AF-100-8EE-TR2F	1	PPTR-2F2M
	2	PPTR-4F4M-3
	4	PPTR-8F8M-3